

# TOGGLE VALVES

STV Series



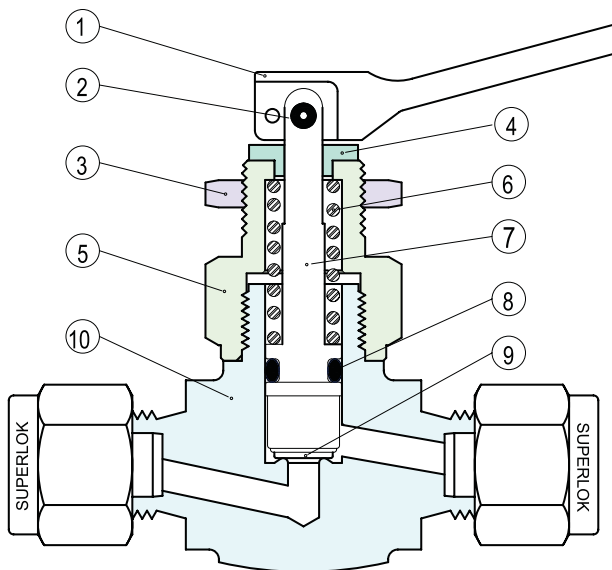
## FEATURES

- Compact design.
- Quick acting.
- Orifice sizes from 0.080 to 0.250 in.(2.0 to 6.4 mm).
- Flow coefficients (Cv) from 0.11 to 0.70.
- Straight, angle flow patterns.
- **SUPERLOK** tube fitting, male and female NPT, and Combination of end connections.
- Each and every valve is tested at the factory.

## TECHNICAL DATA

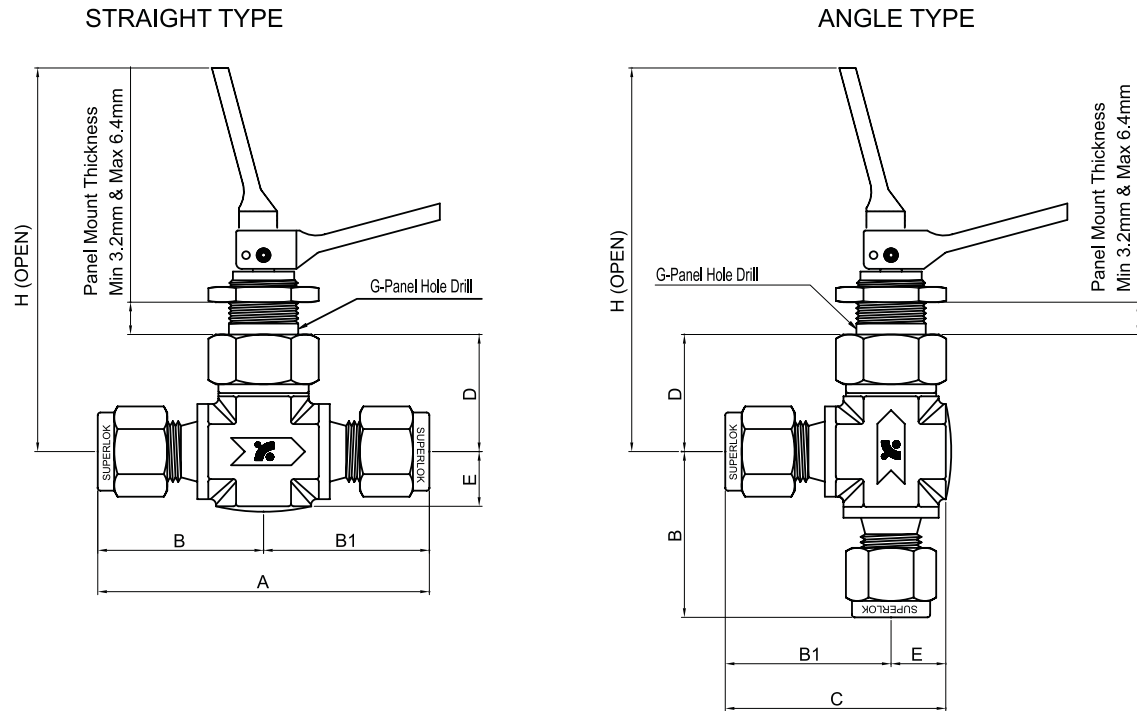
Series	Orifice in.(mm)	Pressure - Temperature Rating	
		Temperature °F (°C)	Working Pressure psig (bar)
STV1031	0.080(2.0)	-20 to 200 °F (-28 to 93 °C)	300psig(20.6bar)
STV1032	0.125(3.2)		200psig(13.7bar)
	0.250(6.4)		

## MATERIALS OF CONSTRUCTION



No.	Component	Material
1	Handle	Nylon
2	Roll Pin	SS304
3	Lock Nut	SS316
4	Handle Washer	Nylon
5	Packing Nut	SS316
6	Spring	Stainless Steel
7	Stem	SS316
8	O-Ring	Viton
9	Stem Tip	PTFE
10	Body	SS316

# TOGGLE VALVES STV Series



**TABLE OF DIMENSIONS**

Part Number			Orifice (mm)	Cv	End Connection		Dimensions (mm)							
					Inlet	Outlet	A	B	B1	C	D	E	G	H
STV1031	M	2N	2.0	0.11	1/8" Male NPT		38.1	19.0	27.0	23.4	7.9	13.5	72.9	
	MS	2N-2			1/8" Male NPT	1/8" Superlok	43.9	19.0	24.9					32.8
	S	2			1/8" Superlok		49.8	24.9	32.8					
	S	3M			3mm Superlok		49.8	24.9	32.8					
STV1032	F	2N	3.2	0.20	1/8" Female NPT	41.4	20.6	30.2	21.8	9.5	13.5	71.4		
	F	4N	6.4	0.70	1/4" Female NPT	53.8	26.9	39.6	26.9	12.7	16.8	90.4		
	M	2N	3.2	0.20	1/8" Male NPT	43.7	21.8	31.2	21.8	9.5	13.5	71.4		
	M	4N			1/4" Male NPT	49.8	24.9	34.5						
	M	6N	6.4	0.70	3/8" Male NPT	57.2	28.4	41.1	26.9	12.7	16.8	90.4		
	MS	4N-4	6.4	0.20	1/4" Male NPT	1/4" Superlok	53.6	24.9	28.7	38.1	21.8	9.5	13.5	71.4
	MF	2N			1/8" Male NPT	1/8" Female NPT	41.4	20.6	30.2					
	S	4	1/4" Superlok		57.4	28.7	38.1							
	S	6	6.4	0.20	3/8" Superlok		65.5	32.8	45.5	26.9	12.7	16.8	90.4	
	S	8			1/2" Superlok		71.7	35.6	48.3					
	S	6M	3.2	0.70	6mm Superlok		57.4	28.7	38.1	21.8	9.5	13.5	71.4	
	S	8M			8mm Superlok		56.4	28.2	37.6					
	S	10M	6.4	0.70	10mm Superlok		69.1	34.5	47.2	26.9	12.7	16.8	90.4	
	S	12M			12mm Superlok		74.2	37.1	49.8					

Dimension, shown on the above table, are measured with SUPERLOK nut in the finger-tight where applicable .  
All dimension are for reference only, subject to change.

※ If require angle type valves, add-A to the end of part number. Ex) STV 1032-S-4-A