

SAE J518 & ISO 6164 Flange Ball Valve

SBVE Series

Specification

- Dual pattern Code 61 & 62
- Compact design
- Blow out proof stem
- Fire safety design : API 607 / BS 6755 PART 2
- End connection : SAE J518 Code 61 & 62 Flanged
ISO 6164 Flanged
- Pressure Rating : SAE J518 CODE 61 : 3000psi
SAE J518 CODE 62 : 6000psi
ISO 6164 : PN250, PN400
- Temperature range : -20°C ~ 100°C

LOCKING DEVICE
is available as option.

BODY CONSTRUCTION
is machined from bar stock
is available in stainless steel and zinc
plated carbon steel.

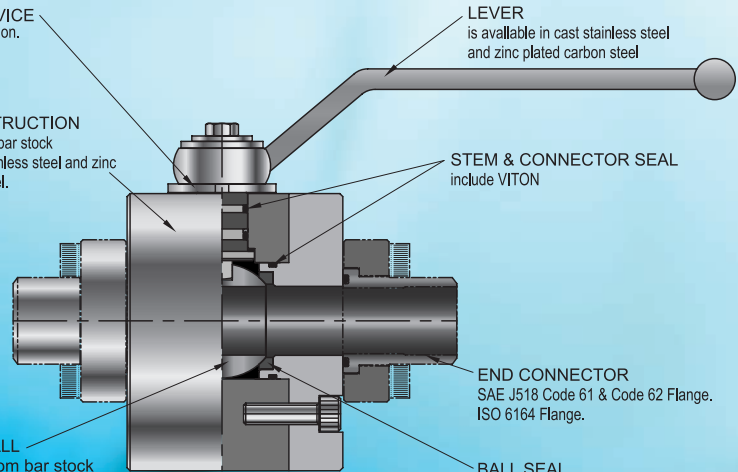
FLOATING BALL
is machined from bar stock
is available in stainless steel and hard chrome
plated carbon steel.

LEVER
is available in cast stainless steel
and zinc plated carbon steel

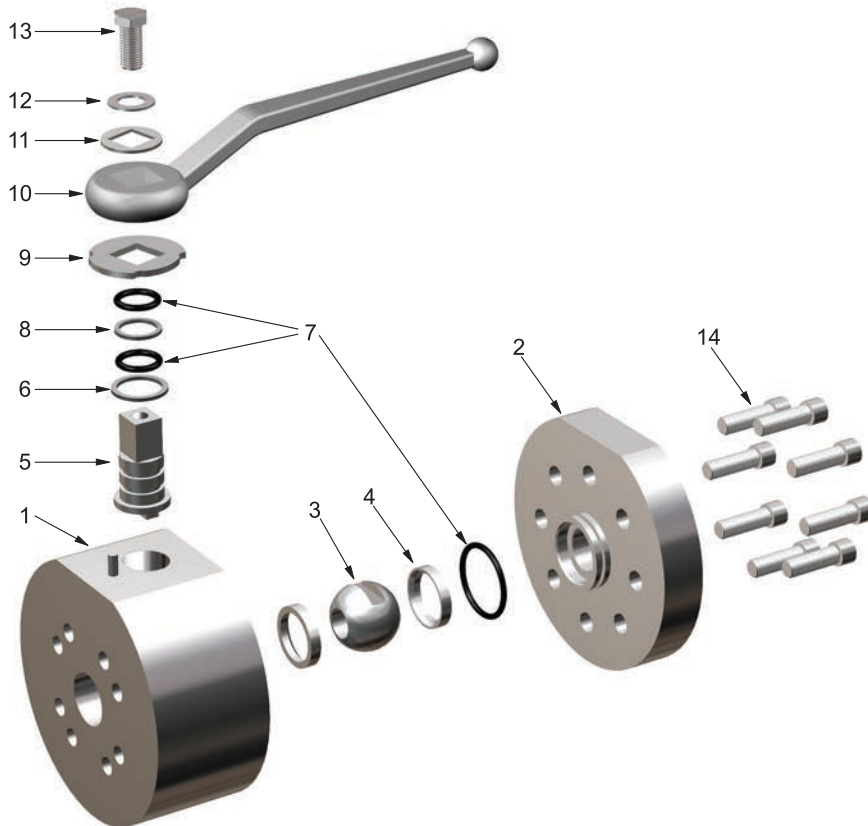
STEM & CONNECTOR SEAL
include VITON

END CONNECTOR
SAE J518 Code 61 & Code 62 Flange.
ISO 6164 Flange.

BALL SEAL
are available in POM-MoS2.



SBVE Series



NO.	PART NAME
1	BODY
2	BODY CONNECTOR
3	BALL
4	BALL SEAL
5	STEM
6	THRUST WASHER
7	O-RING
8	BACKUP RING
9	LOCK PLATE
10	LEVER
11	STEM WASHER
12	WASHER
13	STEM BOLT
14	BODY BOLT

SBVE - SAE Series

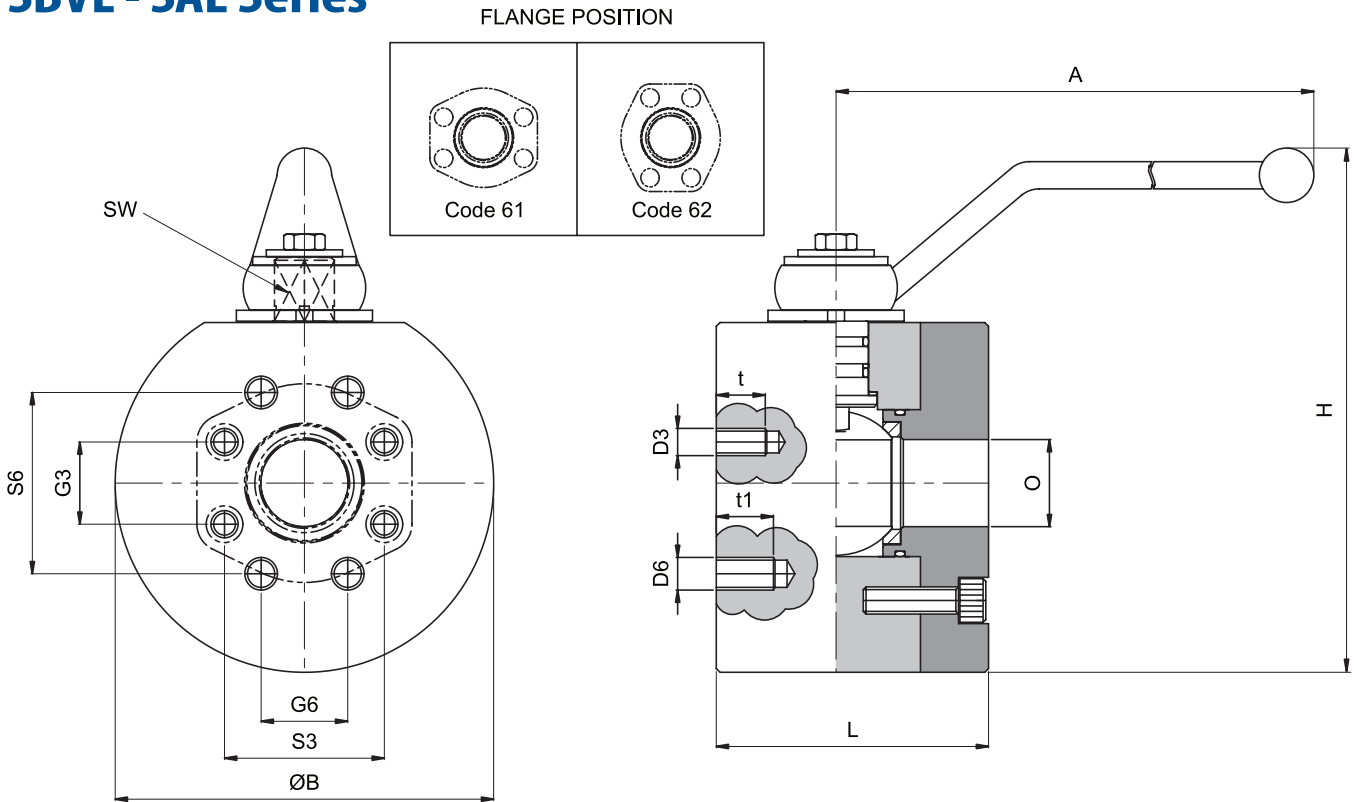


Table of dimensions

SAE J518 CODE 61 (3000psi)

(unit : mm)

Order Number	Norninal Flange Size (inch)	DN	Norninal Working Pressure (bar)	O	A	B	H	L	t	D3	S3	G3	SW
SBVE - 15 - SAE30	1/2"	15	210	15	160	78	125	75	16	M8	38.1	17.5	12
SBVE - 20 - SAE30	3/4"	20	210	20	180	98	145	80	18	M10	47.6	22.2	14
SBVE - 25 - SAE30	1"	25	210	25	180	118	165	88	18	M10	52.4	26.2	14
SBVE - 32 - SAE30	1-1/4"	32	210	32	250	145	195	100	18	M10	58.7	30.2	17
SBVE - 40 - SAE30	1-1/2"	40	210	38	250	165	230	110	20	M12	69.8	35.7	17
SBVE - 50 - SAE30	2"	50	210	48	250	198	260	116	22	M12	77.8	42.9	17
SBVE - 65 - SAE30	2-1/2"	65	210	63	500	198	260	150	34	M16	88.9	50.8	19
SBVE - 80 - SAE30	3"	80	210	78	500	210	260	150	34	M16	106.4	61.9	19
SBVE - 100 - SAE30	4"	100	210	98	800	258	300	170	36	M16	130.2	77.8	24
SBVE - 125 - SAE30	5"	125	210	123	800	295	350	210	40	M16	152.4	92.1	36

SAE J518 CODE 62 (6000psi)

(unit : mm)

Order Number	Norninal Flange Size (inch)	DN	Norninal Working Pressure (bar)	O	A	B	H	L	t1	D6	S6	G6	SW
SBVE - 15 - SAE60	1/2"	15	420	15	160	78	125	75	16	M8	40.5	18.2	12
SBVE - 20 - SAE60	3/4"	20	420	20	180	98	145	80	18	M10	50.8	23.8	14
SBVE - 25 - SAE60	1"	25	420	25	180	118	165	88	21	M12	57.2	27.8	14
SBVE - 32 - SAE60	1-1/4"	32	420	32	250	145	195	100	21	M14	66.6	31.8	17
SBVE - 40 - SAE60	1-1/2"	40	420	38	250	165	230	110	26	M16	79.3	36.5	17
SBVE - 50 - SAE60	2"	50	420	48	250	198	260	116	34	M20	96.8	44.5	17
SBVE - 65 - SAE60	2-1/2"	65	420	63	500	198	260	150	34	M24	123.8	58.4	19
SBVE - 80 - SAE60	3"	80	420	78	500	210	260	150	34	M30	152.4	71.6	19

SBVE - ISO Series

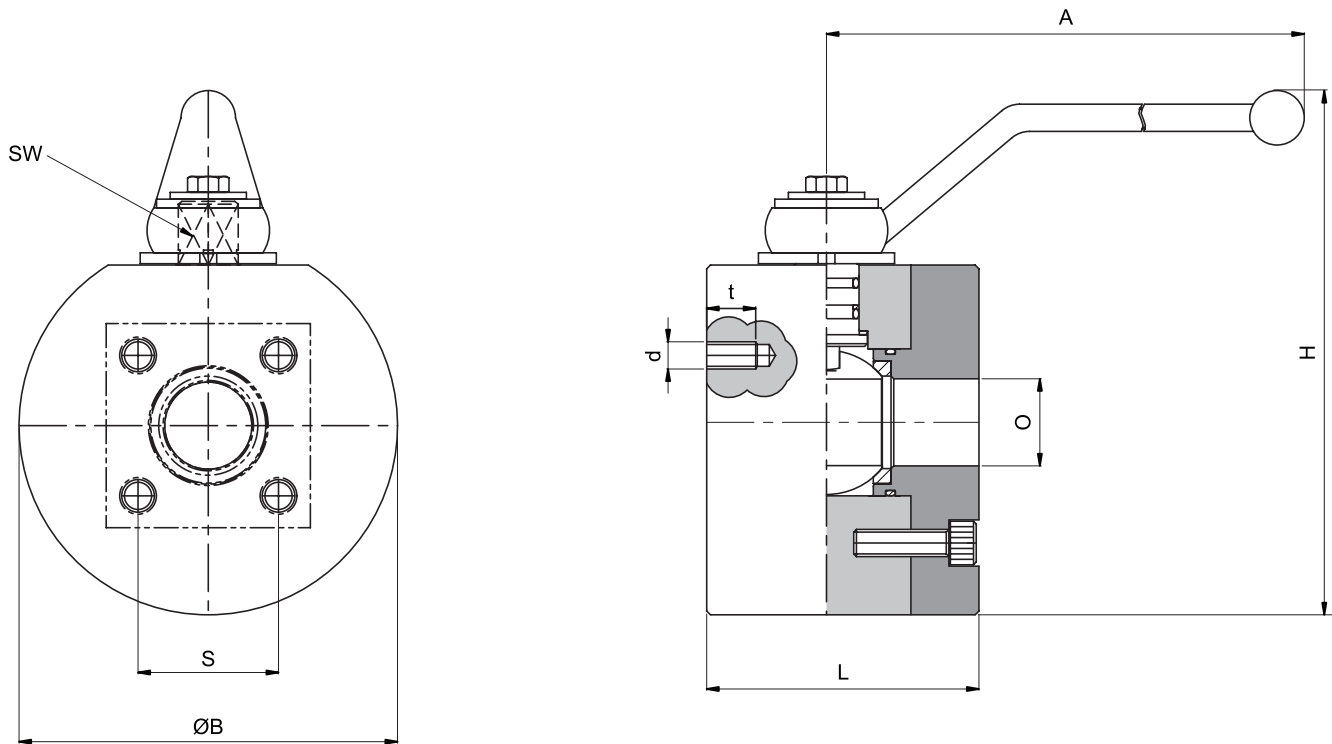


Table of dimensions

ISO 6164-2 (250bar)

(unit : mm)

Order Number	Norninal Flange Size (inch)	DN	Norninal Working Pressure (bar)	O	A	B	H	L	t	d	S	SW
SBVE - 8 - ISO25	1/2"	15	250	15	160	79	125	75	18	M10	60	12
SBVE - 12 - ISO25	3/4"	20	250	20	180	99	145	80	18	M12	70	14
SBVE - 16 - ISO25	1"	25	250	25	180	119	165	88	18	M12	80	14
SBVE - 20 - ISO25	1-1/4"	32	250	32	250	139	195	100	18	M12	90	17
SBVE - 24 - ISO25	1-1/2"	40	250	38	250	160	230	110	20	M16	90	17
SBVE - 32 - ISO25	2"	50	250	48	250	179	260	116	22	M16	100	17

ISO 6164-2 (400bar)

(unit : mm)

Order Number	Norninal Flange Size (inch)	DN	Norninal Working Pressure (bar)	O	A	B	H	L	t	d	S	SW
SBVE - 8 - ISO40	1/2"	15	400	15	160	79	125	75	16	M10	60	12
SBVE - 12 - ISO40	3/4"	20	400	20	180	99	145	80	18	M10	60	14
SBVE - 16 - ISO40	1"	25	400	25	180	119	165	88	21	M12	70	14
SBVE - 20 - ISO40	1-1/4"	32	400	32	250	139	195	100	21	M12	80	17
SBVE - 24 - ISO40	1-1/2"	40	400	38	250	160	230	110	26	M16	90	17
SBVE - 32 - ISO40	2"	50	400	48	250	179	260	116	34	M16	100	17

Material of Construction

Component	Valve Body Materials	
	Stainless Steel	Carbon Steel
Body	A182 F316	A105 + Zinc plated
Body Connector		
Stem	A479 TP 316	A105 + Hard Cr
Ball		
Ball Seals	POM - MoS2	
Stem / Connector Seals	VITON / NBR / GRAPHITE	
Handle	AL / A351 CF8M	A105 + Ni plated
Locking Device	Stainless Steel	

Application

- Pipeline construction ■ Machine tool ■ System engineering ■ Off - shore sector ■ Marine hydraulic
- Power units ■ Oil & Gas refinery rings

Ordering Information

EXAMPLE) SBVE - 15 - SAE30 - N - SS

1
2
3
4
5
6

1. Valve Series

- SBVE

2. Connector Size

Size (inch)	1/2	3/4	1	1-1/4	1-1/2
Identify	15	20	25	32	40
Size (inch)	2	2-1/2	3	4	5
Identify	50	65	80	100	125

3. Connection Type

- SAE : SAE J518 Code 61 / 62
- ISO : ISO 6164 - 2

4. Norminal Pressure

- SAE 30 : 3000psi - ISO 25 : 250bar
- SAE 60 : 6000psi - ISO 40 : 400bar

5. Stem Seal

- NIL : VITON (Standard)
- N : NBR

6. Body Material

- SS : 316 Stainless Steel
- C : Carbon Steel