

SBV Series Ball Valve

- SBV120, SBV210, SBVH360
- High Technology Valve & Fitting Series



SUPERLOK®

BMT Co., Ltd.
www.superlok.com

120 SERIES ONE PIECE TYPE

SBV 120H Series

Features

- Simple design with one piece body
- Tight and smooth, low torque and easy operation
- One-piece ball stem
- Panel mountable
- Variety of End Connections
- Straight, Angle and 3-Way flow patterns
- Each and every valve is tested at the factory



Specifications

| | |
|---------------------------|---|
| Pressure rating | 3000psig (206bar)@70°F (21°C) |
| Temperature rating | 50 to 150°F (10 to 65°C) with PTFE seat and packing |
| Body material | 316 stainless steel and Brass |
| Port Connections | 1/16" to 3/4" and 3mm to 12mm |
| Orifice | 0.052" and 0.406" (1.3mm to 10.3mm) |

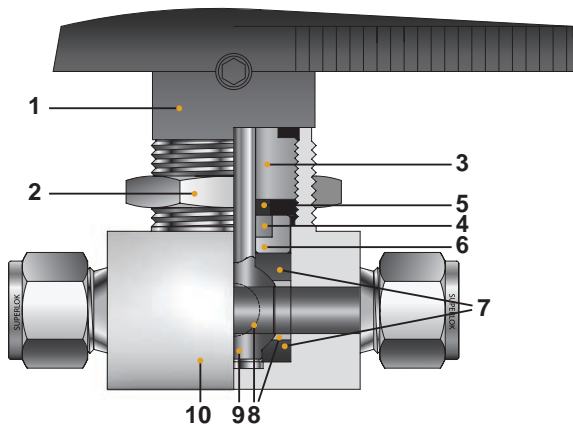
Testing

- Each Valve is tested with nitrogen at 1000psig(69bar) to maximum allowable leak rate of 0.1 SCCM.

Packing Adjustment

- Valves are adjusted for factory testing at 1000psig(69bar). ■ Packing must be readjusted for service at higher pressures.

Materials of Construction

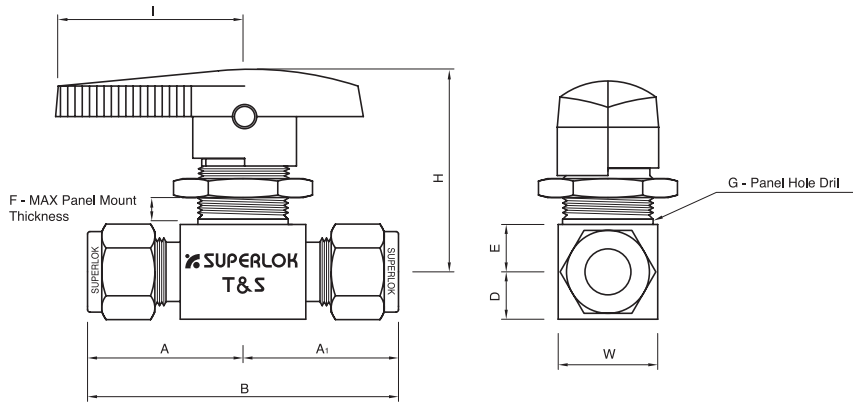


| No. | Component | Material Grade / ASTM Specification | |
|-----|-----------------------|-------------------------------------|-------------|
| | | Stainless Steel | Brass |
| 1 | Handle | Zinc | |
| | Set Screw | Stainless Steel | |
| 2 | Panel Nut | Stainless Steel | Brass |
| 3 | Packing Bolt | SS316 / A479 | Brass / B16 |
| *4 | Packing | PTFE | |
| 5 | Upper Packing Gland | SS316 / A479 | |
| 6 | Lower Packing Gland | | |
| *7 | Upper&Lower Ball Seat | PTFE | |
| *8 | Side Disc | SS316 - Sintered | |
| | Side Ring | | |
| *9 | Ball Stem | SS316 / A479 | |
| *10 | Body | SS316 / A479 | Brass / B16 |

※ Wetted components are marked "*"※

SBV120H Series : 2-Way (On - Off Valve)

STRAIGHT TYPE



ANGLE TYPE

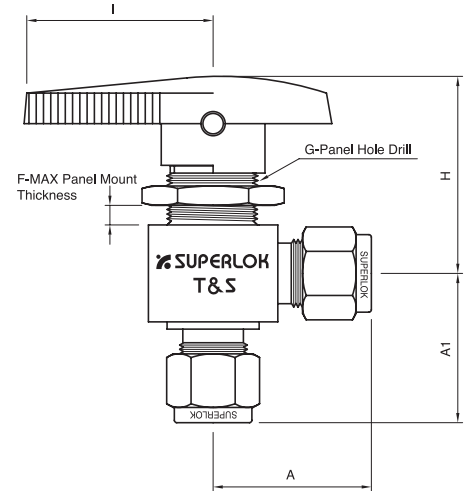


Table of dimensions

| Order Number | | Orifice | Cv | End Connections | | Dimensions (mm) | | | | | | | | | |
|--------------|----------|---------------|---------------|-----------------|---------------|-----------------|------|------|------|------|-----|------|------|------|------|
| Series | Part No. | | | Inlet | Outlet | A | A1 | B | D | E | F | G | H | I | W |
| SBV120 H1 | S 1 | 1.3 | 0.1 | 1/16" SUPERLOK | | 21.3 | 21.3 | 42.6 | 7.1 | 8.7 | 6.4 | 15.0 | 36.0 | 29.0 | 15.0 |
| | S 3M | 2.4 | 0.2 | 3mm SUPERLOK | | 25.4 | 25.4 | 50.8 | | | | | | | |
| | S 2 | | 0.2 | 1/8" SUPERLOK | | | | | | | | | | | |
| | F 2N | 3.2 | 0.5 | 1/8" FEMALE NPT | | 20.6 | 20.6 | 41.2 | | | | | | | |
| | S 6M | | 0.6 | 6mm SUPERLOK | | 27.7 | 27.7 | 55.4 | | | | | | | |
| S 4 | | 0.6 | 1/4" SUPERLOK | | | | | | | | | | | | |
| SBV120 H2 | F 2N | 4.8 | 1.2 | 1/8" FEMALE NPT | | 25.4 | 25.4 | 50.8 | 9.4 | 11.2 | 4.8 | 19.8 | 43.7 | 38.5 | 19.8 |
| | F 4N | | 0.9 | 1/4" FEMALE NPT | | 26.2 | 26.2 | 52.4 | | | | | | | |
| | F 4R | | 0.9 | 1/4" ISO FEMALE | | | | | | | | | | | |
| | M 4N | | 1.2 | 1/4" MALE NPT | | 25.4 | 25.4 | 50.8 | | | | | | | |
| | MS 4N-4 | | 1.6 | 1/4" MALE NPT | 1/4" SUPERLOK | 25.4 | 30.2 | 55.6 | | | | | | | |
| | S 6M | | 2.4 | 6mm SUPERLOK | | 30.2 | 30.2 | 60.4 | | | | | | | |
| | S 4 | | 2.4 | 1/4" SUPERLOK | | | | | | | | | | | |
| | S 8M | | 1.5 | 8mm SUPERLOK | | 31.0 | 31.0 | 62.0 | | | | | | | |
| S 6 | 1.5 | 3/8" SUPERLOK | | 32.5 | 32.5 | 65.0 | | | | | | | | | |
| SBV120 H3 | F 4N | 7.1 | 3.0 | 1/4" FEMALE NPT | | 31.8 | 31.8 | 63.6 | 14.2 | 14.2 | 9.4 | 28.5 | 56.1 | 51.0 | 28.5 |
| | F 6N | | 2.6 | 3/8" FEMALE NPT | | | | | | | | | | | |
| | F 6R | | 2.6 | 3/8" ISO FEMALE | | | | | | | | | | | |
| | S 6 | | 6.0 | 3/8" SUPERLOK | | 38.9 | 38.9 | 77.8 | | | | | | | |
| | S 10M | | 6.0 | 10mm SUPERLOK | | | | | | | | | | | |
| SBV120 H4 | F 8N | 10.3 | 6.3 | 1/2" FEMALE NPT | | 39.6 | 39.6 | 79.2 | 17.5 | 17.5 | 9.4 | 38.1 | 71.8 | 75.0 | 75.0 |
| | F 8R | | 6.3 | 1/2" ISO FEMALE | | | | | | | | | | | |
| | S 12M | | 12.0 | 12mm SUPERLOK | | | | | | | | | | | |
| | S 8 | | 12.0 | 1/2" SUPERLOK | | 50.0 | 50.0 | 100 | | | | | | | |
| | S 12 | | 6.4 | 3/4" SUPERLOK | | | | | | | | | | | |

※ Dimensions shown with **SUPERLOK** nuts measure in the finger-tight, where applicable.

※ All dimensions are for reference only, subject to change

SBV120H Series : 3-Way (Switching Valve)

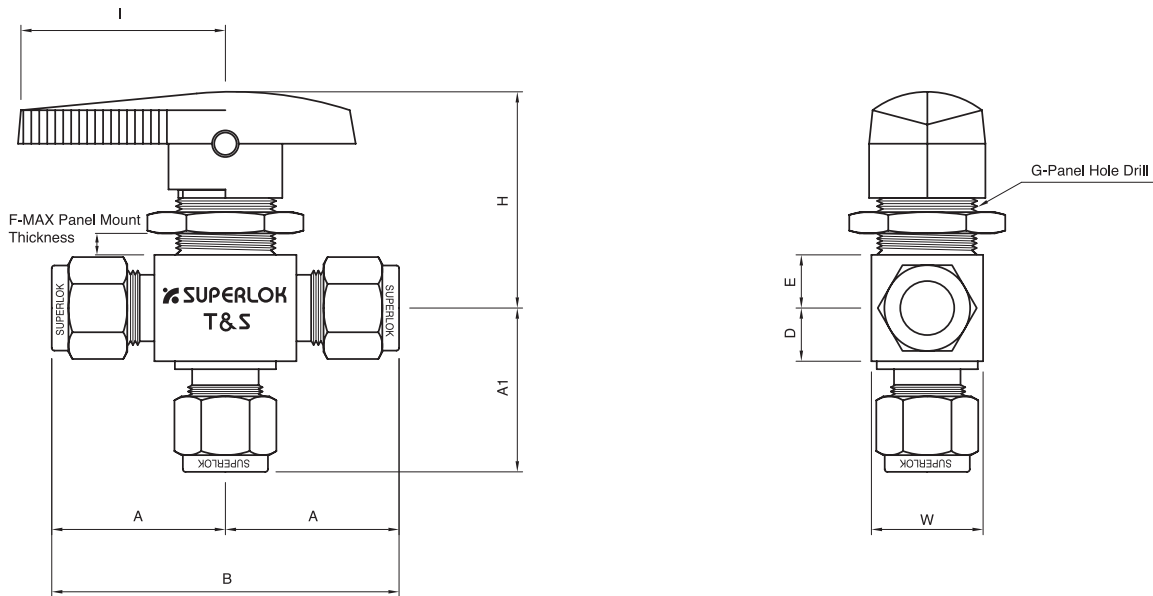


Table of dimensions

| Order Number | | | Orifice | Cv | End Connections | | Dimensions (mm) | | | | | | | | | |
|---------------|----------|------|---------|-----------------|-----------------|---------------|-----------------|------|------|------|------|-----|------|------|------|------|
| Series | Part No. | | | | Inlet | Outlet | A | A1 | B | D | E | F | G | H | I | W |
| SBV120 H13 | S | 1 | 1.3 | 0.08 | 1/16" SUPERLOK | | 21.3 | 20.6 | 42.6 | 7.1 | 8.7 | 6.4 | 15.0 | 36.0 | 29.0 | 15.0 |
| | S | 3M | 2.4 | 0.15 | 3mm SUPERLOK | | 25.4 | 24.6 | 50.8 | | | | | | | |
| | S | 2 | | 0.15 | 1/8" SUPERLOK | | 20.6 | 20.6 | 41.2 | | | | | | | |
| | F | 2N | 3.2 | 0.3 | 1/8" FEMALE NPT | | 27.7 | 26.9 | 55.4 | | | | | | | |
| | S | 6M | | 0.35 | 6mm SUPERLOK | | | | | | | | | | | |
| | S | 4 | 0.35 | 1/4" SUPERLOK | | | | | | | | | | | | |
| SBV120 H23 | F | 4N | 4.8 | 0.75 | 1/4" FEMALE NPT | | 26.2 | 26.2 | 52.4 | 9.4 | 11.2 | 4.8 | 19.8 | 43.7 | 38.5 | 19.8 |
| | F | 4R | | | 1/4" ISO FEMALE | | | | | | | | | | | |
| | MS | 4N-4 | | 0.8 | 1/4" MALE NPT | 1/4" SUPERLOK | 25.4 | 30.2 | 55.6 | | | | | | | |
| | S | 6M | | 0.9 | 6mm SUPERLOK | | 30.2 | 30.2 | 60.4 | | | | | | | |
| | S | 4 | | | 1/4" SUPERLOK | | | | | | | | | | | |
| | S | 8M | | 0.8 | 8mm SUPERLOK | | 31.0 | 31.0 | 62.0 | | | | | | | |
| SBV120 H33 | F | 4N | 7.1 | 1.7 | 1/4" FEMALE NPT | | 31.8 | 31.8 | 63.6 | 14.2 | 14.2 | 9.4 | 28.5 | 56.1 | 51.0 | 28.5 |
| | F | 6N | | 3/8" FEMALE NPT | | | | | | | | | | | | |
| | F | 6R | | 3/8" ISO FEMALE | | 38.9 | 38.9 | 77.8 | | | | | | | | |
| | S | 6 | | 3/8" SUPERLOK | | | | | | | | | | | | |
| | S | 10M | | 10mm SUPERLOK | | | | | | | | | | | | |
| SBV120 H43 | F | 8N | 10.3 | 3.5 | 1/2" FEMALE NPT | | 39.6 | 39.6 | 79.2 | 17.5 | 17.5 | 9.4 | 38.1 | 71.8 | 75.0 | 38.1 |
| | F | 8R | | | 1/2" ISO FEMALE | | | | | | | | | | | |
| | S | 12M | | 4.6 | 12mm SUPERLOK | | 50.0 | 50.0 | 100 | | | | | | | |
| | S | 8 | | | 1/2" SUPERLOK | | | | | | | | | | | |
| | S | 12 | | 3.8 | 3/4" SUPERLOK | | | | | | | | | | | |

※ Dimensions shown with SUPERLOK nuts measure in the finger-tight, where applicable.

※ All dimensions are for reference only, subject to change

Pressure Rating

| Valve | 2-Way Straight Pattern psig (bar) | 2-Way Angle Pattern psig (bar) | 3-Way Switching psig (bar) |
|----------|--------------------------------------|-----------------------------------|-------------------------------|
| SBV120H1 | 2500 (172) | 2500 (172) | 2500 (172) |
| SBV120H2 | 3000 (206) | 2500 (172) | 2500 (172) |
| SBV120H3 | 2500 (172) | 1500 (103) | 1500 (103) |
| SBV120H4 | 2500 (172) | 1500 (103) | 1500 (103) |

Flow Data at 70°F (21°C)

Straight Type

| Cv | Pressure Drop to Atmospher(Δp)psi | | | | | |
|------|-----------------------------------|-------|-------|--------------------|------|-------|
| | 10 | 50 | 100 | 10 | 50 | 100 |
| | Air Flow, SCFM | | | Water Flow, US GPM | | |
| 0.50 | 6.9 | 19.1 | 33.9 | 1.6 | 3.5 | 5.0 |
| 0.60 | 8.3 | 23.0 | 40.7 | 1.9 | 4.2 | 6.0 |
| 0.90 | 12.0 | 34.0 | 61.0 | 2.8 | 6.4 | 9.0 |
| 1.2 | 17.0 | 46.0 | 81.0 | 3.8 | 8.5 | 12.0 |
| 1.5 | 21.0 | 57.0 | 100.0 | 4.7 | 11.0 | 15.0 |
| 1.6 | 22.0 | 61.0 | 110.0 | 5.0 | 11.0 | 16.0 |
| 2.4 | 33.0 | 92.0 | 160.0 | 7.6 | 17.0 | 24.0 |
| 2.6 | 36.0 | 99.5 | 176.0 | 8.2 | 18.0 | 26.0 |
| 3.0 | 41.5 | 115.0 | 203.0 | 9.5 | 21.0 | 30.0 |
| 6.0 | 83.0 | 230.0 | 407.0 | 19.0 | 42.0 | 60.0 |
| 6.3 | 87.2 | 241.0 | 427.0 | 19.9 | 44.5 | 63.0 |
| 6.4 | 88.6 | 245.0 | 434.0 | 20.2 | 45.3 | 64.0 |
| 12 | 166.0 | 459.0 | 814.0 | 38.0 | 85.0 | 120.0 |

Angle Type & 3-Way

| Cv | Pressure Drop to Atmospher(Δp)psi | | | | | |
|------|-----------------------------------|-------|-------|--------------------|------|------|
| | 10 | 50 | 100 | 10 | 50 | 100 |
| | Air Flow, SCFM | | | Water Flow, US GPM | | |
| 0.30 | 4.2 | 11.5 | 20.3 | 0.9 | 2.1 | 3.0 |
| 0.35 | 4.8 | 13.4 | 23.7 | 1.1 | 2.4 | 3.5 |
| 0.75 | 10.0 | 29.0 | 51.0 | 2.3 | 5.3 | 7.5 |
| 0.80 | 11.0 | 31.0 | 54.0 | 2.5 | 5.6 | 8.0 |
| 0.90 | 12.0 | 34.0 | 61.0 | 2.8 | 6.3 | 9.0 |
| 1.5 | 20.6 | 57.4 | 102.0 | 4.7 | 11.0 | 15.0 |
| 1.7 | 23.5 | 65.0 | 115.0 | 5.3 | 12.0 | 17.0 |
| 20. | 27.7 | 76.5 | 136.0 | 6.3 | 14.0 | 20.0 |
| 3.5 | 48.4 | 134.0 | 237.0 | 11.0 | 25.0 | 35.0 |
| 3.8 | 52.6 | 145.0 | 258.0 | 12.0 | 27.0 | 38.0 |
| 4.6 | 63.7 | 176.0 | 312.0 | 15.0 | 33.0 | 46.0 |

Ordering Information

Example : **SBV120H1 A - S - 6M - SS**

1
2
3
4
5

1. Valve Series

■ SBVH120H1 ■ SBVH120H2 ■ SBVH120H3 ■ SBVH120H4

2. Pattern Designator

■ Nil:2-Way Straight (Standard) ■ A:2-Way Angle ■ 3:3-Way

3. End Connection Type

■ S : SUPERLOK Tube Fitting ■ F : Female Thread ■ M : Male Thread ■ MS : Male Thread to SUPERLOK Tube Fitting

4. End Connection Size

-Tube O.D Designation

| Tube O.D (inch) | 1/16 | 1/8 | 1/4 | 3/8 | 1/2 |
|-----------------|------|-----|-----|-----|-----|
| Designation | 1 | 2 | 4 | 6 | 8 |
| Tube O.D (mm) | 3 | 6 | 8 | 10 | 12 |
| Designation | 3M | 6M | 8M | 10M | 12M |

- Pipe Thread Designation

| Size(inch) | 1/8 | 1/4 | 3/8 | 1/2 |
|--------------|-----|-----|-----|-----|
| Screwed NPT | 2N | 4N | 6N | 8N |
| Screwed BSPT | 2R | 4R | 6R | 8R |

5. Material Designator

■ SS : 316 Stainless Steel ■ B : BRASS

210 SERIES TWO PIECE TYPE

SBV210 Series

Features

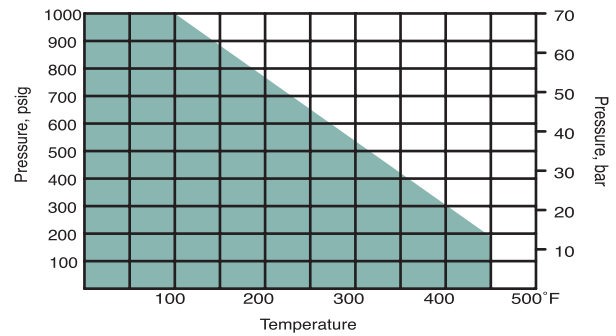
- Compact design
- Tight and smooth, low torque and easy operation
- Butterfly and lever handle available
- Variety of End Connections
- Each and every valve is tested at the factory



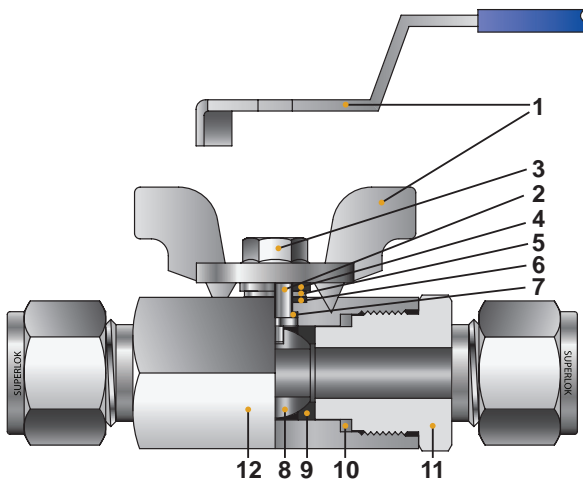
Specifications

| | |
|-------------------------|-------------------------------|
| Pressure rating | 1000psig (69bar)@70°F (21°C) |
| Body material | 316 stainless steel and Brass |
| Port Connections | 1/4" to 1" and 6mm to 16mm |
| Orifice | 5.0mm to 16.0mm |

Pressure-Temperature Ratings



Materials of Construction



| No. | Component | Material Grade / ASTM Specification | |
|-----|----------------------------|--|-------------|
| | | Stainless Steel | Brass |
| 1 | Handle | SS304 Lever handle with PVC color coated Zinc butterfly handle with nickel plated | |
| 2 | Stem | SS316 / A479 | |
| 3 | Lock Nut | Stainless Steel | |
| 4 | Upper Stem Washer | SS304 / A479 | |
| 5 | Lower Stem Washer | | |
| 6 | Upper Stem Seal | PTFE | |
| 7 | Lower Stem Seal | | |
| 8 | Ball | SS316 / A479 | |
| 9 | Seat | PTFE | |
| 10 | Connector Seal | | |
| 11 | End Connector | SS316 / A479 | Brass / B16 |
| | Insert (for Female Thread) | SS316 / A479 | |
| 12 | Body | SS316 / A479 | Brass / B16 |

SBV210 Series

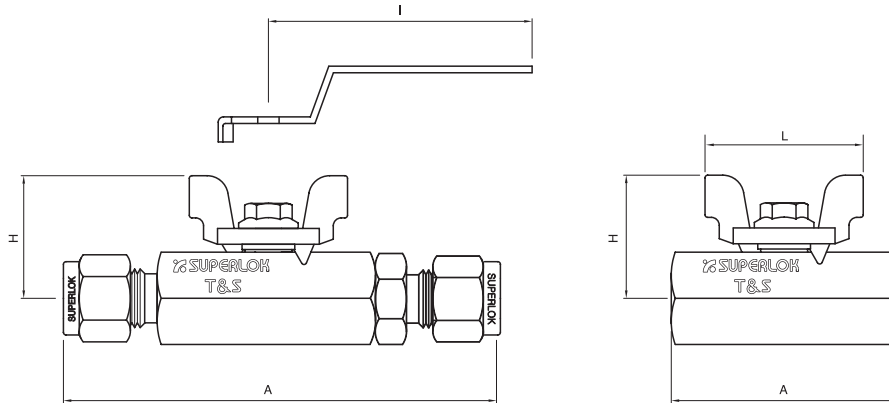


Table of dimensions

| Order Number | | Orifice (mm) | Cv | End Connections | Dimensions (mm) | | | | |
|--------------|----------|--------------|------|-----------------|-----------------|-------|-------|-------|------|
| Series | Part No. | | | | A | H | I | L | |
| SBV210 | S | 6M | 5.0 | 1.25 | 6mm SUPERLOK | 79.8 | 23.0 | 60.0 | 30.0 |
| | S | 4 | | 1.25 | 1/4" SUPERLOK | 79.8 | | | |
| | F | 4N | | 1.4 | 1/4" FEMALE NPT | 42.8 | | | |
| | S | 10M | 7.5 | 2.6 | 10mm SUPERLOK | 91.5 | 31.0 | 90.0 | 48.0 |
| | S | 6 | | 2.5 | 3/8" SUPERLOK | 91.5 | | | |
| | F | 6N | | 2.6 | 3/8" FEMALE NPT | 46.6 | | | |
| | S | 12M | 9.0 | 9.5 | 12mm SUPERLOK | 101.4 | 34.0 | 90.0 | 50.0 |
| | S | 8 | | 9.5 | 1/2" SUPERLOK | 101.4 | | | |
| | F | 8N | | 9.5 | 1/2" FEMALE NPT | 55.0 | | | |
| | S | 16M | 12.5 | 10.6 | 16mm SUPERLOK | 107.6 | 39.0 | 100.0 | 55.0 |
| | S | 10 | | 10.6 | 5/8" SUPERLOK | 107.0 | | | |
| | S | 12 | | 12.7 | 3/4" SUPERLOK | 107.0 | | | |
| | F | 12N | 12.7 | 3/4" FEMALE NPT | 61.3 | 45.0 | 100.0 | 68.0 | |
| | S | 16 | 17.5 | 1" SUPERLOK | 131.0 | | | | |
| | F | 16N | 17.5 | 1" FEMALE NPT | 76.0 | | | | |

※ All dimensions are for reference only, subject to change

SBVA210 Series

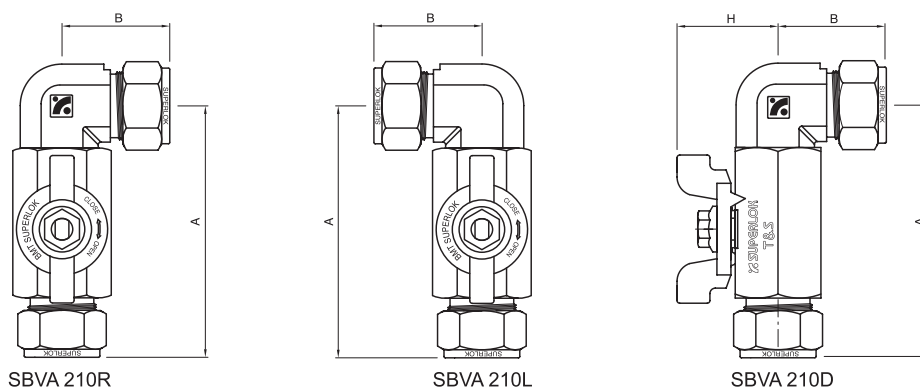


Table of dimensions

| Order Number | | Orifice (mm) | End Connections | Dimensions (mm) | | | |
|--------------|----------|--------------|-----------------|-----------------|-------|------|------|
| Series | Part No. | | | A | B | H | |
| SBVA210 | S | 4 | 5.0 | 1/4" SUPERLOK | 65.3 | 30.5 | 23.0 |
| | S | 6 | 7.5 | 3/8" SUPERLOK | 77.5 | 36.1 | 31.0 |
| | S | 8 | 9.0 | 1/2" SUPERLOK | 87.9 | 38.1 | 34.0 |
| | S | 12 | 12.5 | 3/4" SUPERLOK | 93.8 | 39.9 | 39.0 |
| | S | 16 | 16.0 | 1" SUPERLOK | 115.3 | 49.0 | 45.0 |

※ All dimensions are for reference only, subject to change

SBVT210 Series

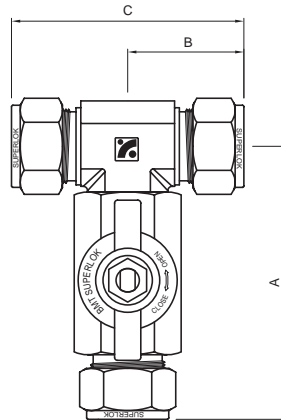


Table of dimensions

| Order Number | | Orifice (mm) | End Connections | Dimensions (mm) | | | |
|--------------|----------|--------------|-----------------|-----------------|-------|------|------|
| Series | Part No. | | | A | B | C | |
| SBVT210 | S | 4 | 5.0 | 1/4" SUPERLOK | 65.3 | 30.5 | 61.0 |
| | S | 6 | 7.5 | 3/8" SUPERLOK | 77.5 | 36.1 | 72.2 |
| | S | 8 | 9.0 | 1/2" SUPERLOK | 87.9 | 38.1 | 76.2 |
| | S | 12 | 12.5 | 3/4" SUPERLOK | 93.8 | 39.9 | 79.8 |
| | S | 16 | 16.0 | 1" SUPERLOK | 115.3 | 49.0 | 98.0 |

※ All dimensions are for reference only, subject to change

Ordering Information

Example : **SBV120 - S - 8 - BH - SS**

1
2
3
4
5

1. Valve Series

■ SBV210 ■ SBVA210 ■ SBVT210

2. End Connection

■ S : SUPERLOK Tube Fitting ■ F : Female Thread

3. End Connection Size

-Tube O.D Designation

| | | | | | |
|-----------------|-----|-----|-----|-----|----|
| Tube O.D (inch) | 1/4 | 3/8 | 1/2 | 3/4 | 1 |
| Designation | 4 | 6 | 8 | 12 | 16 |
| Tube O.D (mm) | 6 | 10 | 12 | 16 | |
| Designation | 6M | 10M | 12M | 16M | |

- Pipe Thread Designation

| | | | | | |
|--------------|-----|-----|-----|-----|-----|
| Size (inch) | 1/4 | 3/8 | 1/2 | 3/4 | 1 |
| Screwed NPT | 4N | 6N | 8N | 12N | 16N |
| Screwed BSPT | 4R | 6R | 8R | 12R | 12R |

4. Handle Designator

■ Nil : Butterfly Handle (Standard) ■ BH : Bar Handle

5. Material Designator

■ SS : 316 Stainless Steel ■ B : BRASS

360 SERIES THREE PIECE HIGH-PRESSURE TYPE

SBVH360 Series

Features

- Compact design
- High flow rate with maximum orifice
- Variety of End Connections
- Anti blow-out stem design
- Each and every valve is tested at the factory
- Fire safety design available



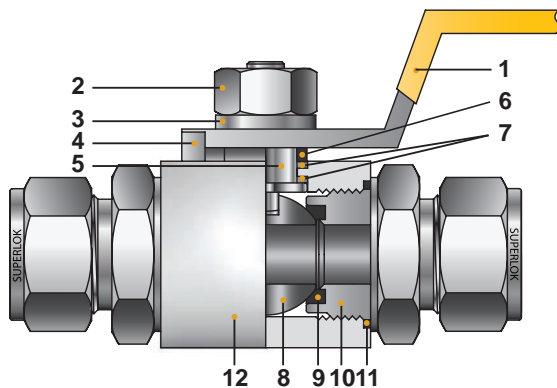
Specifications

| | |
|---------------------------|--|
| Pressure rating | 6000psig (414bar)@70°F (21°C) |
| Temperature rating | -22 to 265°F (-30 to 130°C) with PVDF seat -65 to 500°F (-54 to 260°C) with PEEK seat |
| Body material | 316 stainless steel and Brass |
| Port Connections | 1/4" to 1" and 6mm to 25mm |
| Orifice | 10.0mm to 19.0mm |

Testing

- Each Valve is tested with nitrogen at 1000psig(69bar) to maximum allowable leak rate of 0.1 SCCM.
- Hydrostatic shell test is performed at 1.5 times of the working pressure. (OPTION)

Materials of Construction



| No. | Component | Material Grade / ASTM Specification |
|-----|----------------|--|
| | | Stainless Steel |
| 1 | Handle | SS304 Lever handle with PVC color coated |
| 2 | Lock Nut | Stainless Steel |
| 3 | Spring Washer | |
| 4 | Pin | |
| *5 | Stem | SS316 / A479 |
| 6 | Stem Washer | SS304 / A479 |
| *7 | Stem Packing | PTFE |
| *8 | Ball | SS316 / A479 |
| *9 | Seat | PVDF (Standard) |
| *10 | End Connector | SS316 / A479 |
| *11 | Connector Seal | PTFE |
| *12 | Body | SS316 / A479 |

※ Wetted components are marked "*"※

SBVH360 SERIES (2-Way)

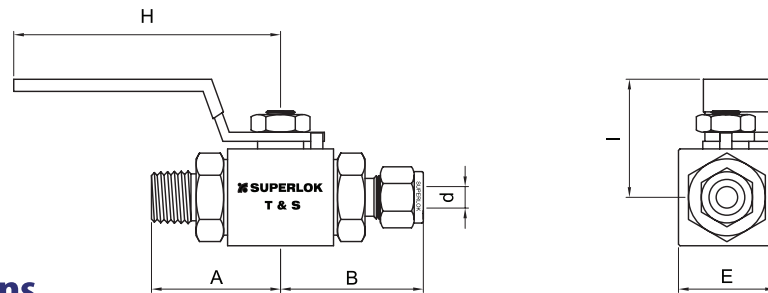


Table of dimensions

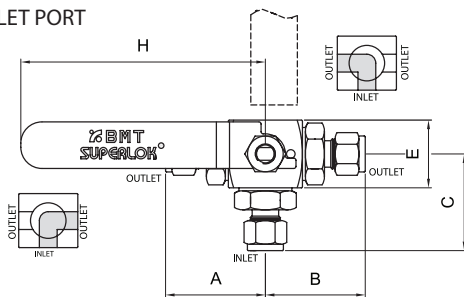
| Order Number | | Orifice | Cv | End Connections | Dimensions (mm) | | | | | |
|--------------|----------|---------|------|-----------------|-----------------|------|-------|-------|---------|-------|
| Series | Part No. | | | | A | B | I | H | d (min) | |
| SBVH3601 | S | 4 | 10.0 | 1.2 | 1/4" SUPERLOK | 45.7 | 45.7 | 91.4 | 105 | 4.8 |
| | S | 6 | | 3.7 | 3/8" SUPERLOK | 47.5 | 47.5 | 94.4 | | 7.1 |
| | S | 8 | | 7.5 | 1/2" SUPERLOK | 49.8 | 49.8 | 99.6 | | 10.0 |
| | F | 4N | 10.0 | 7.5 | 1/4" FEMALE NPT | 37.0 | 37.0 | 74.0 | 105 | 10.0 |
| | F | 6N | | 3/8" FEMALE NPT | 38.0 | 38.0 | 76.0 | | | |
| | F | 8N | | 1/2" FEMALE NPT | 41.5 | 41.5 | 83.0 | | | |
| | M | 4N | 10.0 | 3.7 | 1/4" MALE NPT | 42.1 | 42.1 | 84.2 | 105 | 7.1 |
| | M | 6N | | 7.2 | 3/8" MALE NPT | 42.1 | 42.1 | 84.2 | | 9.65 |
| | M | 8N | | 7.5 | 1/2" MALE NPT | 47.0 | 47.0 | 94.0 | | 10.0 |
| F | 8N | 12.7 | | 10.0 | 1/2" FEMALE NPT | 45.5 | 45.5 | 91.0 | | 125 |
| F | 12N | | 10.0 | 3/4" FEMALE NPT | 51.0 | 51.0 | 102.0 | | | |
| M | 12N | | 10.0 | 3/4" MALE NPT | 52.5 | 52.5 | 105.0 | | | |
| S | 10 | | 10.0 | 5/8" SUPERLOK | 54.0 | 54.0 | 108.0 | | | |
| S | 12 | | 10.0 | 3/4" SUPERLOK | 54.0 | 54.0 | 108.0 | | | |
| SBVH3603 | F | 12N | 19.0 | 30.0 | 3/4" FEMALE NPT | 54.0 | 54.0 | 108.0 | 149 | 20.0 |
| | F | 16N | | 30.0 | 1" FEMALE NPT | 62.5 | 62.5 | 125.0 | | |
| | S | 12 | | 19.0 | 3/4" SUPERLOK | 61.9 | 61.9 | 123.8 | | 15.74 |
| | S | 16 | | 30.0 | 1" SUPERLOK | 66.4 | 66.4 | 132.8 | | 20.0 |
| | M | 12N | | 19.0 | 3/4" MALE NPT | 59.0 | 59.0 | 118.0 | | 15.74 |
| | M | 16N | | 30.0 | 1" MALE NPT | 63.8 | 63.8 | 127.6 | | 20.0 |

※All dimensions are for reference only, subject to change

SBVH360-3S SERIES (3-Way)

SBVH360-3B SERIES (3-Way)

SIDE INLET PORT



BOTTOM INLET PORT

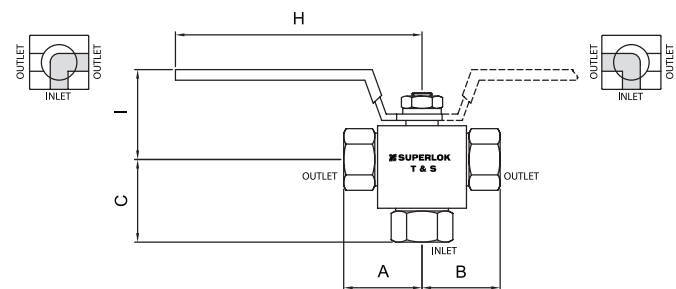


Table of dimensions

| Order Number | | Orifice | End Connections | Dimensions (mm) | | | | | | |
|---------------------------------|----------|---------|-----------------|-----------------|-----------------|------|------|-------|-----|------|
| Series | Part No. | | | A | B | I | H | C | | |
| SBVH3601-3B & SBVH3601-3S | S | 4 | 10.0 | 1.2 | 1/4" SUPERLOK | 45.7 | 45.7 | 91.4 | 105 | 53.3 |
| | S | 6 | | 3.7 | 3/8" SUPERLOK | 47.2 | 47.2 | 94.4 | | 54.8 |
| | S | 8 | | 7.5 | 1/2" SUPERLOK | 49.8 | 49.8 | 99.6 | | 54.0 |
| | F | 4N | 10.0 | 7.5 | 1/4" FEMALE NPT | 37.0 | 37.0 | 74.0 | 105 | 36.5 |
| | F | 6N | | 3/8" FEMALE NPT | 38.0 | 38.0 | 76.0 | 40.0 | | |
| | F | 8N | | 1/2" FEMALE NPT | 41.5 | 41.5 | 83.0 | 44.0 | | |
| SBVH3602-3B & SBVH3602-3S | S | 10 | 12.7 | 10.0 | 5/8" SUPERLOK | 54.0 | 54.0 | 108.0 | 125 | 65.3 |
| | S | 12 | | 10.0 | 3/4" SUPERLOK | 54.0 | 54.0 | 108.0 | | 65.3 |
| | F | 8N | | 10.0 | 1/2" FEMALE NPT | 45.5 | 45.5 | 91.0 | | 49.5 |
| | F | 12N | | 10.0 | 3/4" FEMALE NPT | 51.0 | 51.0 | 102.0 | | 55.0 |
| SBVH3603-3B & SBVH3603-3S | S | 12 | 19.0 | 30.0 | 3/4" SUPERLOK | 61.9 | 61.9 | 123.8 | 149 | 69.8 |
| | S | 16 | | 30.0 | 1" SUPERLOK | 66.4 | 66.4 | 132.8 | | 69.8 |
| | F | 12N | | 19.0 | 3/4" FEMALE NPT | 59.0 | 59.0 | 118.0 | | 56.5 |
| | F | 16N | | 30.0 | 1" FEMALE NPT | 63.8 | 63.8 | 127.6 | | 60.6 |

Pressure & Temperature Rating

2-Way Straight

| Valve Series | Materials | | | Pressure Rating @-54°C to 21°C (-65°F to 70°F) | Temperature Rating |
|--------------|-----------|--------------|--------------------|--|--------------------------------|
| | Seat | Stem Packing | End Connector Seal | | |
| 3601 | PVDF | PTFE | | 6000psig (413bar) | -30°C to 130°C(-22°F to 265°F) |
| | PCTFE | | | | -30°C to 150°C(-22°F to 355°F) |
| | PEEK | | | | -54°C to 230°C(-65°F to 446°F) |
| 3602 & 3603 | PVDF | | | 5000psig (344bar) | -23°C to 191°C(-10°F to 375°F) |
| | PCTFE | | | | |
| | PEEK | | | | |

2-Way Angle & 3-Way

| Valve Series | Materials | | | Pressure Rating @-54°C to 21°C (-65°F to 70°F) | Temperature Rating |
|--------------|-----------|--------------|--------------------|--|--------------------------------|
| | Seat | Stem Packing | End Connector Seal | | |
| 3601 | PVDF | PTFE | VITON | 4000psig(275bar) | -30°C to 130°C(-22°F to 265°F) |
| | PCTFE | | | | -30°C to 150°C(-22°F to 355°F) |
| | PEEK | | | | -54°C to 230°C(-65°F to 446°F) |
| 3602 & 3603 | PVDF | | | 3000psig(206bar) | -23°C to 191°C(-10°F to 375°F) |
| | PCTFE | | | | |
| | PEEK | | | | |

Ordering Information

Example : **SBVH3602 - S - 12 - PE - SS**

1
2
3
4
5

1. Valve Series

- 2-Way straight ■ 2-Way Angle ■ 3-Way : Bottom Inlet Port ■ 3-Way : Side Inlet Port
- SBVH3601 - SBVH3601-A - SBVH3601-3B - SBVH3601-3S
- SBVH3602 - SBVH3602-A - SBVH3602-3B - SBVH3602-3S
- SBVH3603 - SBVH3603-A - SBVH3603-3B - SBVH3603-3S

2. End Connection

- S : SUPERLOK Tube Fitting ■ F : Female Thread ■ M : Male Thread

3. Connection Size

-Tube O.D Designation

| Tube O.D (inch) | 1/4 | 3/8 | 1/2 | 5/8 | 3/4 | 1 |
|-----------------|-----|-----|-----|-----|-----|----|
| Designation | 4 | 6 | 8 | 10 | 12 | 16 |

- Pipe Thread Designation

| Size(inch) | 1/4 | 3/8 | 1/2 | 3/4 | 1 |
|--------------|-----|-----|-----|-----|-----|
| Screwed BSPT | 4N | 6N | 8N | 12N | 16N |
| Screwed NPT | 4R | 6R | 8R | 12R | 12R |

4. Seat Material Designator

- Nil: PVDF(Standard) ■ PC: PCTFE ■ PE: PEEK

5. Material Designator

- SS : 316 Stainless Steel ■ M : ALLOY (Monel)

Valve Series

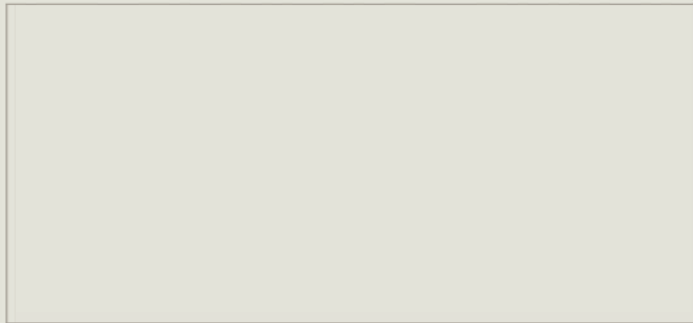
- Key Operation Ball Valves
- Key Operation Needle Valves
- Ball Valves
- Integral Bonnet Needle Valves
- Union Bonnet Needle Valves
- Check Valves
- High Pressure Check Valves
- High Pressure Needle Valves
- Plug Valves
- Manifold Valves
- Vacuum Clamps
- Water Regulators
- Flexible Hoses
- Double Block & Bleed Valves
- Swing-Out Ball Valves
- Toggle Valves
- Bleed & Purge Valves
- Quick Connectors
- High Pressure Ball Valves
- Hydraulic Ball Valves
- Trunnion Ball Valves
- Rising Plug Valves
- Relief Valves
- Cryogenic Needle Valves
- Cryogenic Ball Valves
- Micron in-Line Filters
- Gauge Root Valves
- Hydraulic Flange and Components

Fitting Series

Tube Fittings (Compression Type)
Instrument Thread Fittings
Forged Fittings
Bite Type Tube Fittings (DIN2353)
Bite Type Tube Fittings (JIS B2351)
37 Flared Tube Fittings (SAE J514)
O-Ring Face Seal Fittings
Hose Connectors & Push-On Hose Fittings

Electric

MCPD(Molded Case Power Distributor)



BMT Co., Ltd.

21-1 Bukjeong-dong Yangsan
Gyeongsangnam-do Korea
Tel. 82-55-783-1000
Fax. 82-55-783-1111
superlok@superlok.com

경상남도 양산시 북정동 21-1
전화 : 055-783-1000
팩스 : 055-783-1111
superlok@superlok.com

www.superlok.com